

PRODUCT CODE: MB13B
MALLEABLE CONDUIT BOX

DESCRIPTION

25mm Malleable Branch U Conduit Box

FINISH

Black Enamel

MATERIAL

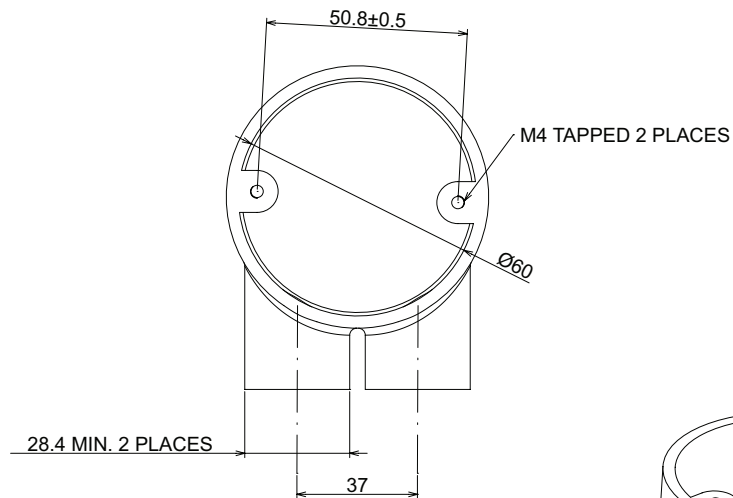
Malleable Iron

PACKAGING

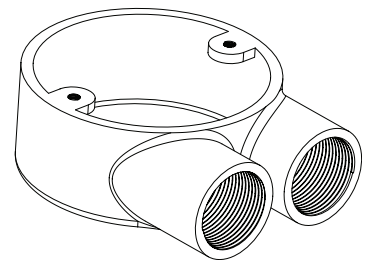
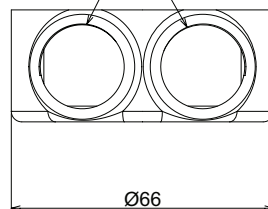
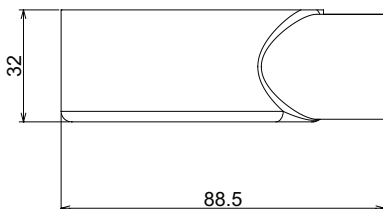
Packed in qty 10

ADDITIONAL NOTES

Conforms to BS EN61386-1:2008
Compliant to LU Standard 1-085 (for use on surface & sub-surface locations)



M25 CONDUIT THREAD 16mm DEEP 2 PLACES



Ⓢ Values are nominal and with a general tolerance $\pm 5\%$ unless otherwise specified